

Bruce & Dana, Inc.

2204 Simpson St. SE Salem, Oregon 97301
(503) 364-5274 (800) 653-5144 FAX (503) 371-7688
E-mail Sales.Salem@bruceanddana.com

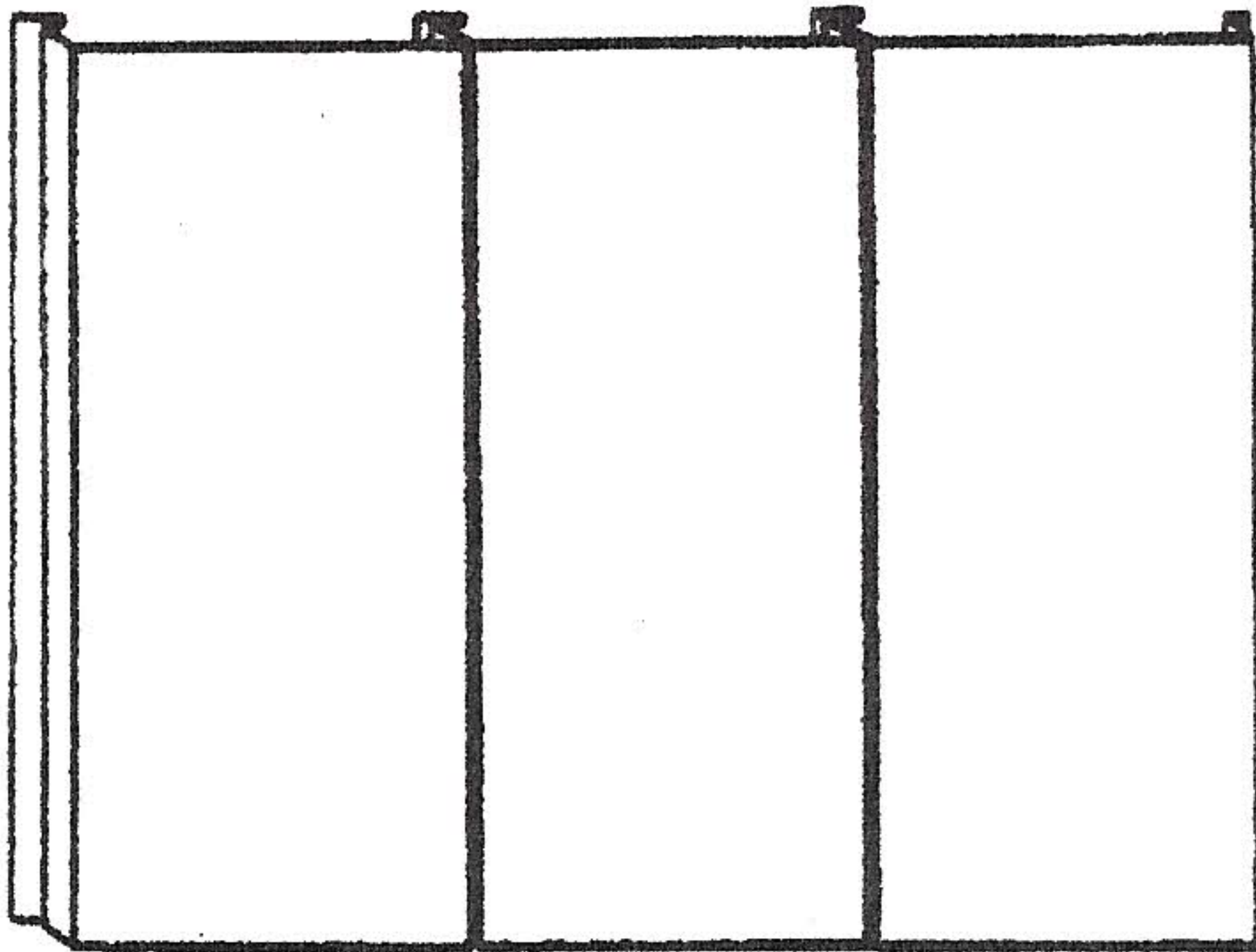
3595 Avion Dr. Medford, Oregon 97504
(541) 776-5206 (888) 314-0028 FAX (541) 776-2738
E-mail Sales.Medford@bruceanddana.com

www.bruceanddana.com

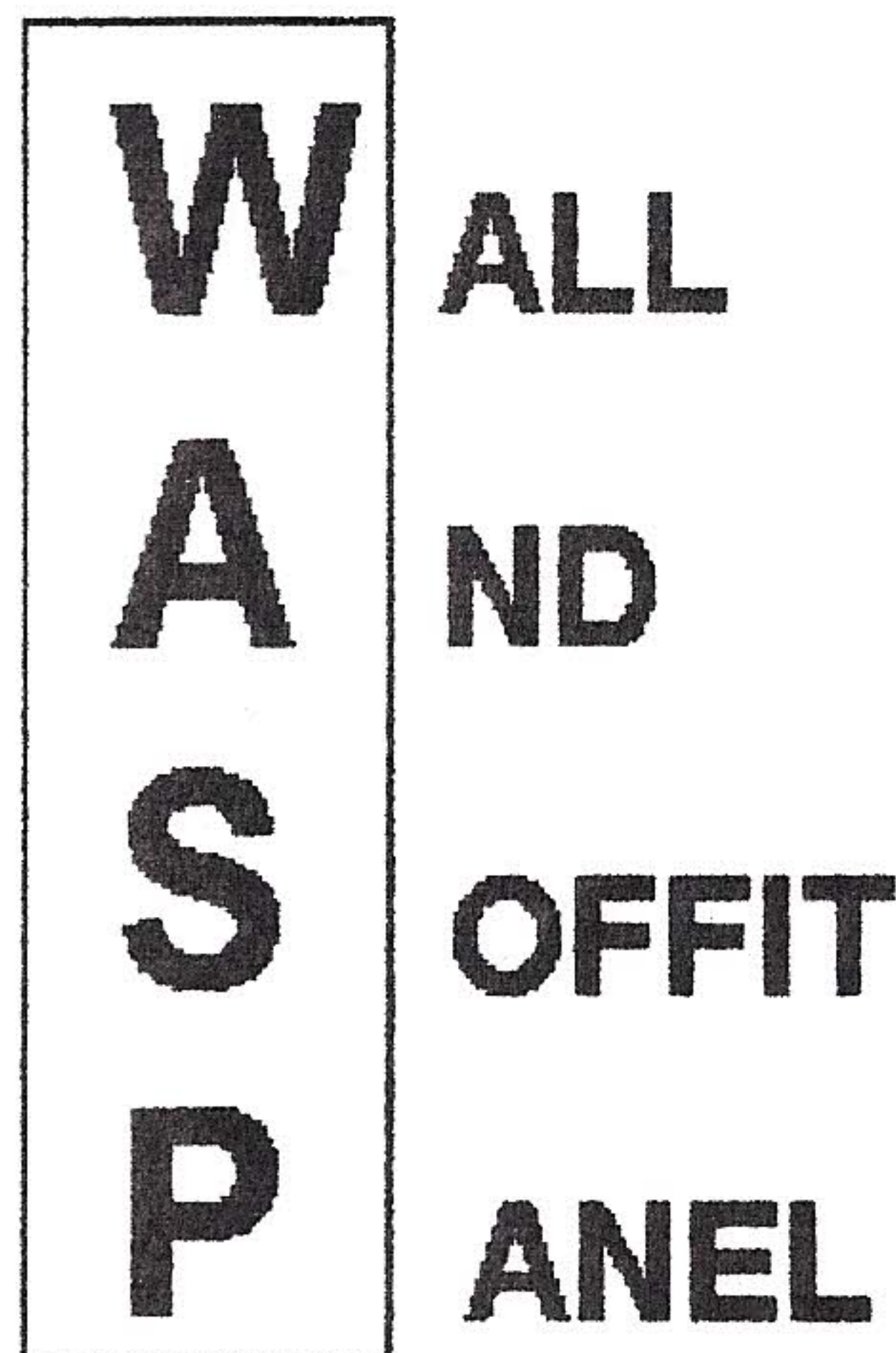


We "*sting*" the other guys high prices!

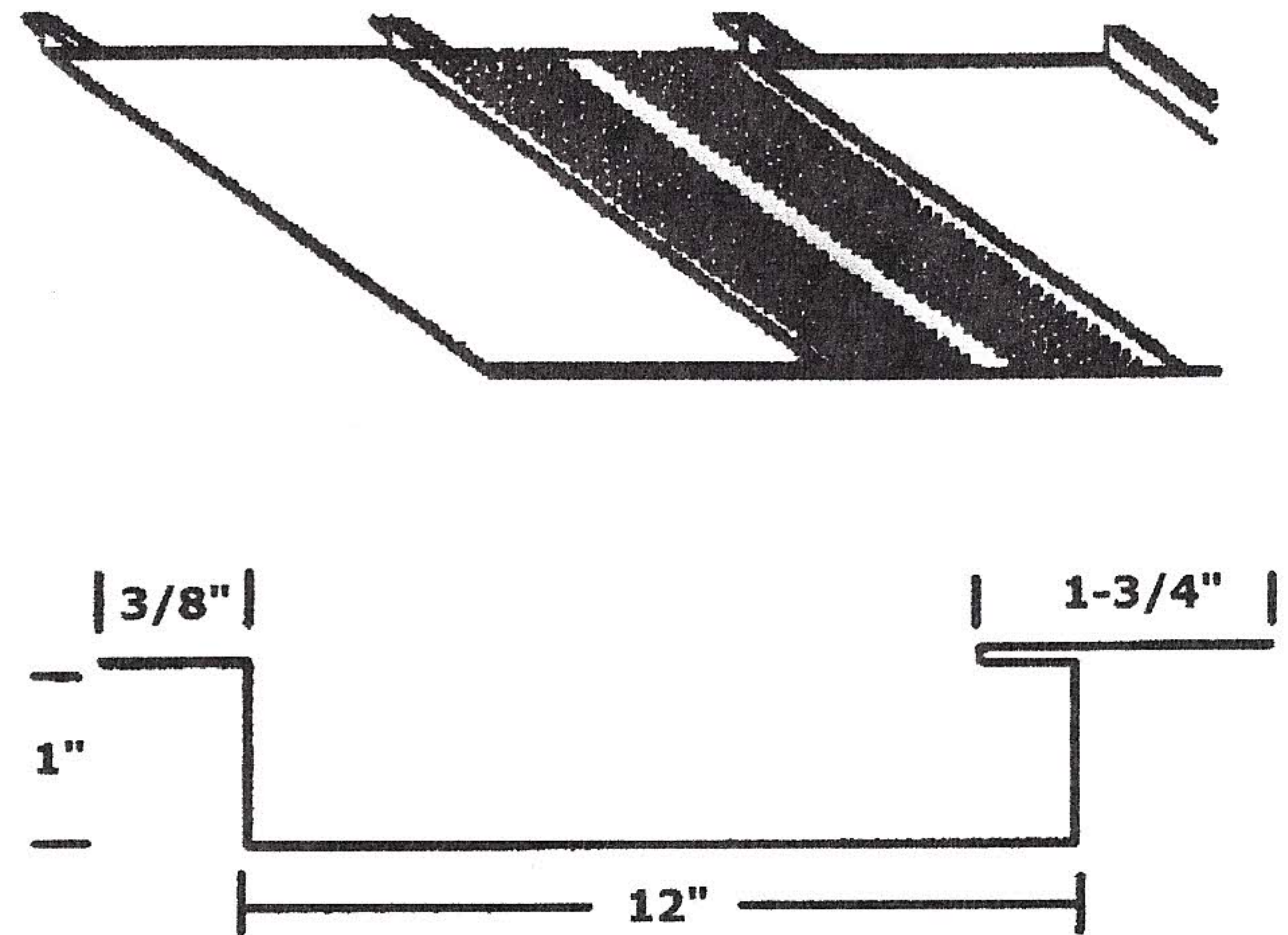
Wall Panel



Perforated or Solid



Soffit Panel



OFFERED IN:

- * 24 gauge ASG
- * 12" width for ease of figuring the job
- * Custom cut from 20" and up
- * 13 colors available with a 35 year Premium PVDF Warranted Paint System:
Red, White, Blue, Kelly green, Forest green, Suntan, Desert Brown,
Brown, Battleship Gray, Charcoal, Classic Copper, Sandstone, Patina
- * Concealed Fasteners
- * **NO** long sheet charges
- * **NO** additional charges for perforations
- * Perforated panels deliver 17 sq. inches of free airflow per running foot of panel
- * Available with or without accent rib.

* 1" x 12" expanded Polystyrene Board – 8' pieces –

Delivers a solid R-4 backer (not gapped like others)

Bruce & Dana, Inc.

2204 Simpson St. SE Salem, Oregon 97301
 (503) 364-5274 (800) 653-5144 FAX (503) 371-7688
 E-mail Sales.Salem@bruceanddana.com

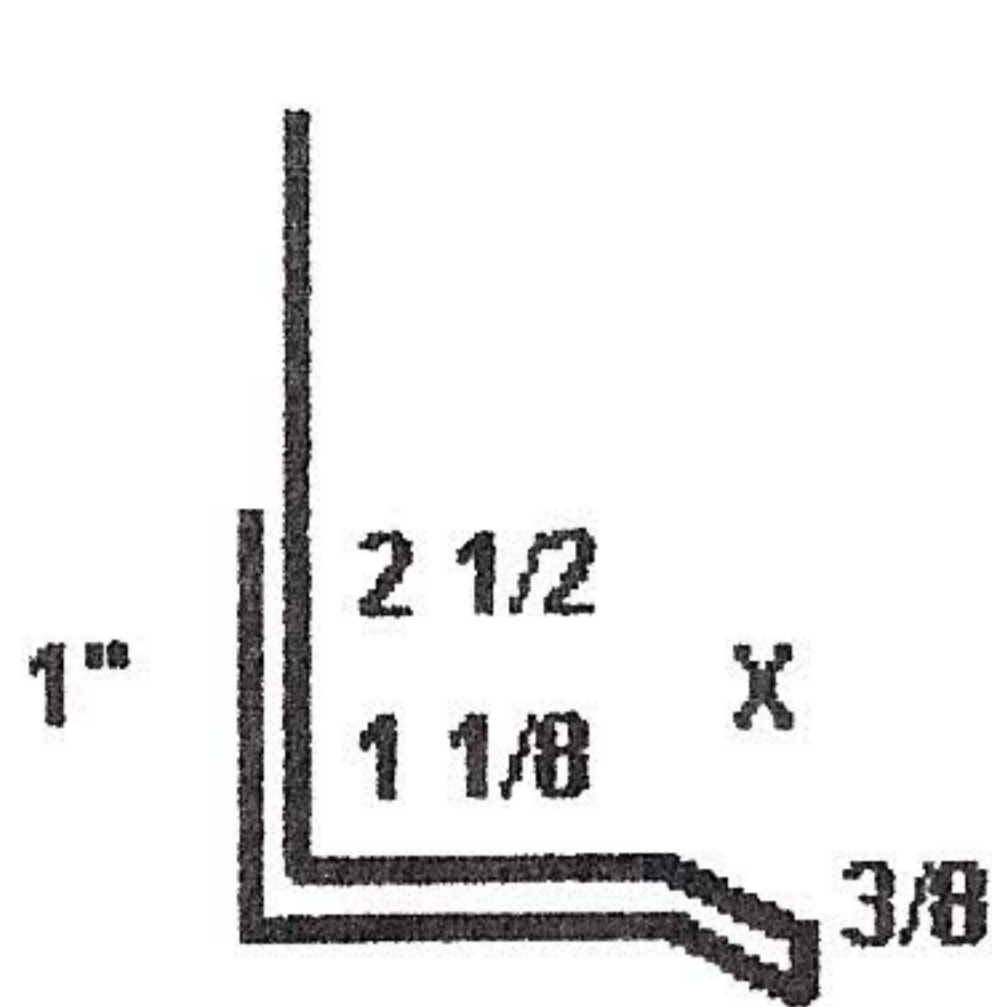
3595 Avion Dr. Medford, Oregon 97504
 (541) 776-5206 (888) 314-0028 FAX (541) 776-2738
 E-mail Sales.Medford@bruceanddana.com

www.bruceanddana.com

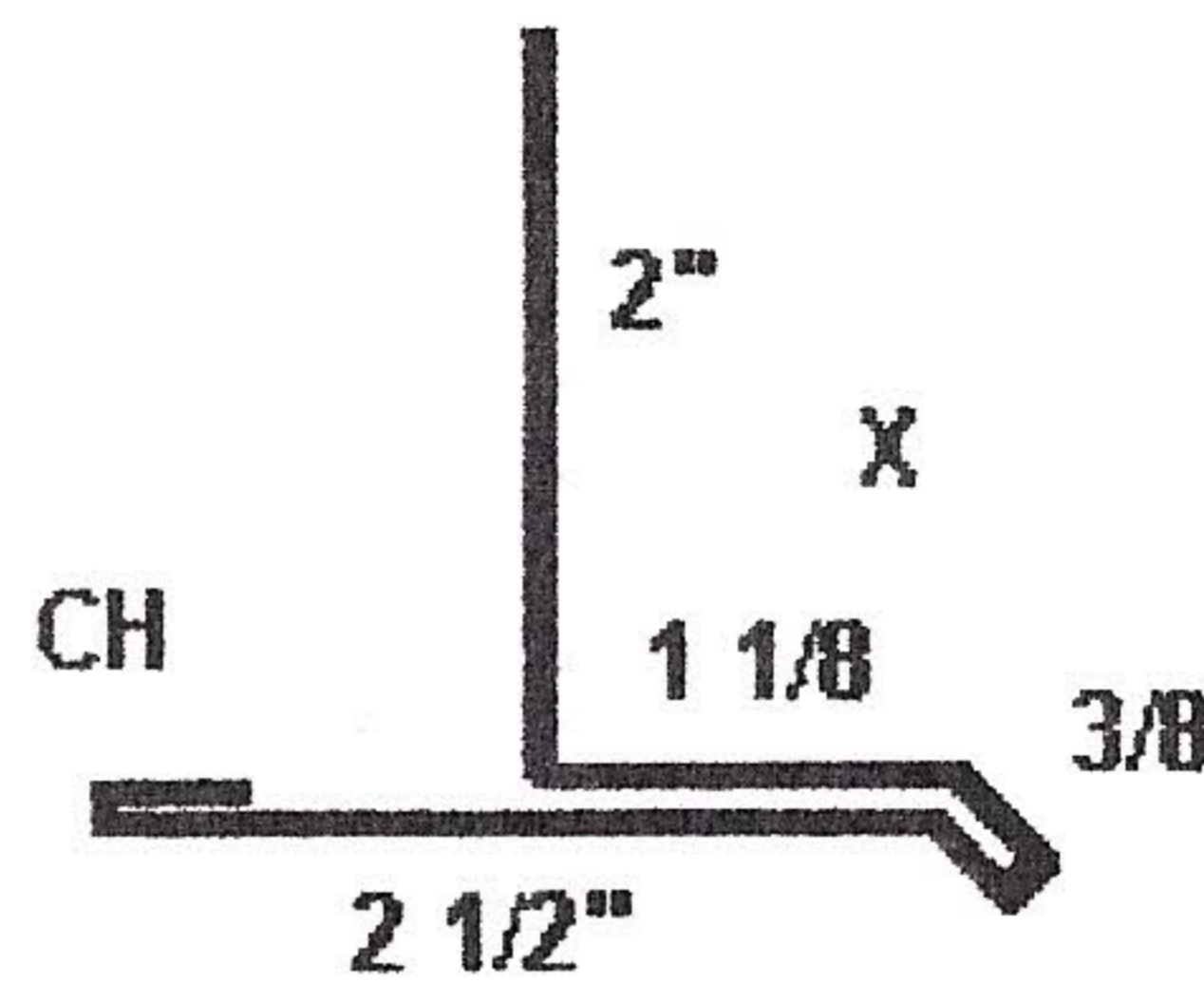


We "*sting*" the other guys high prices!

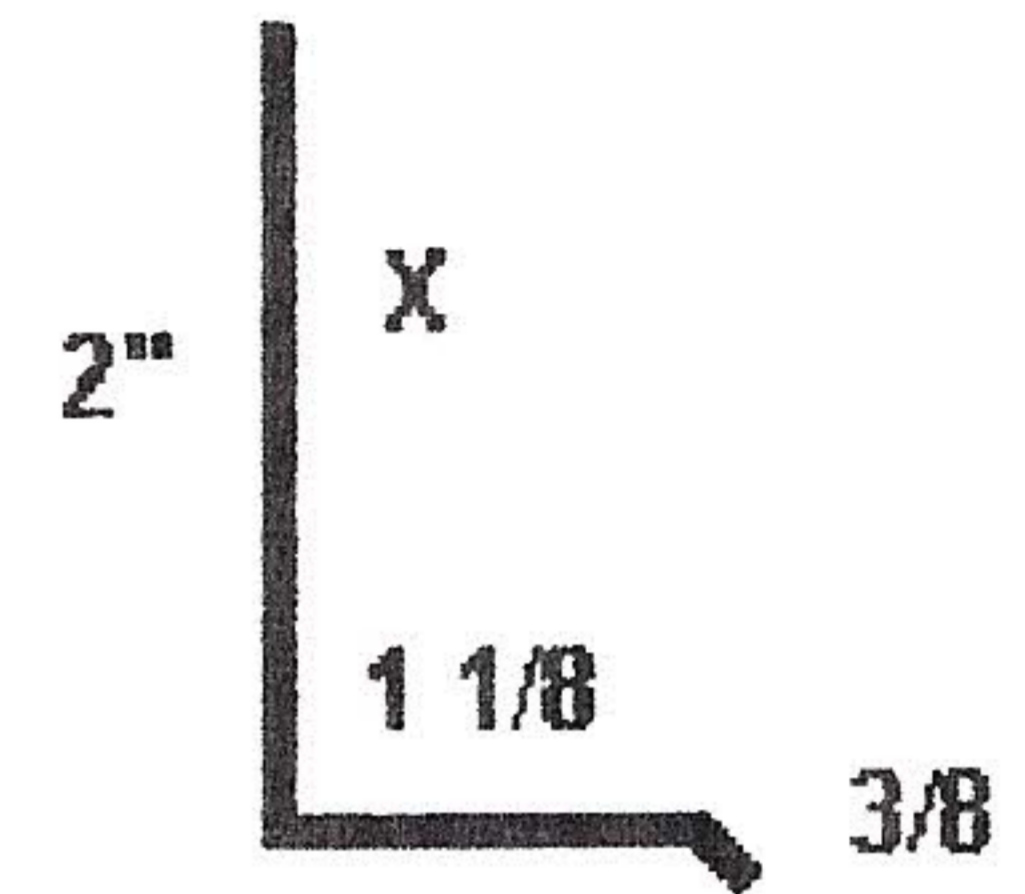
WASP FLASHINGS



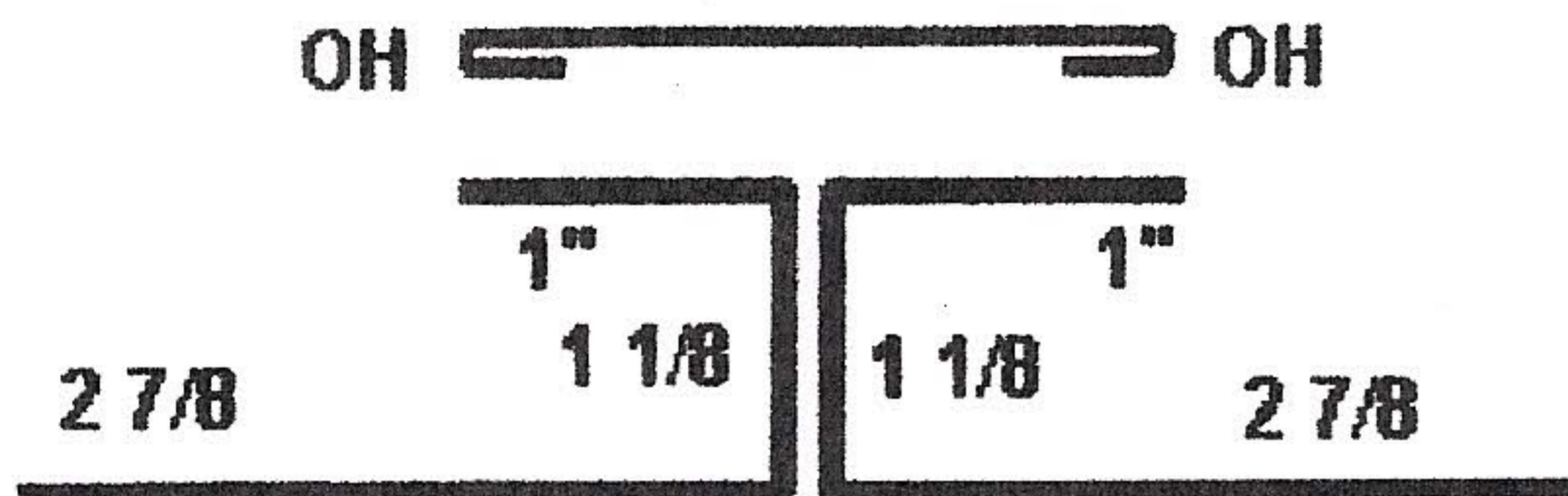
Base Metal Style A



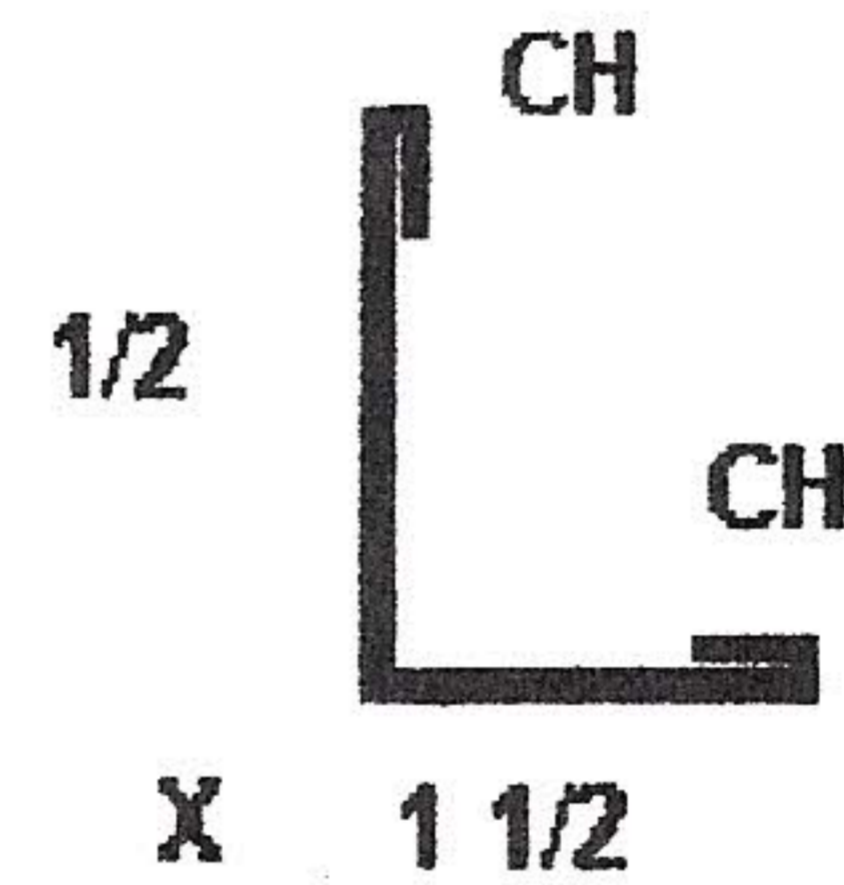
Base Metal Style B



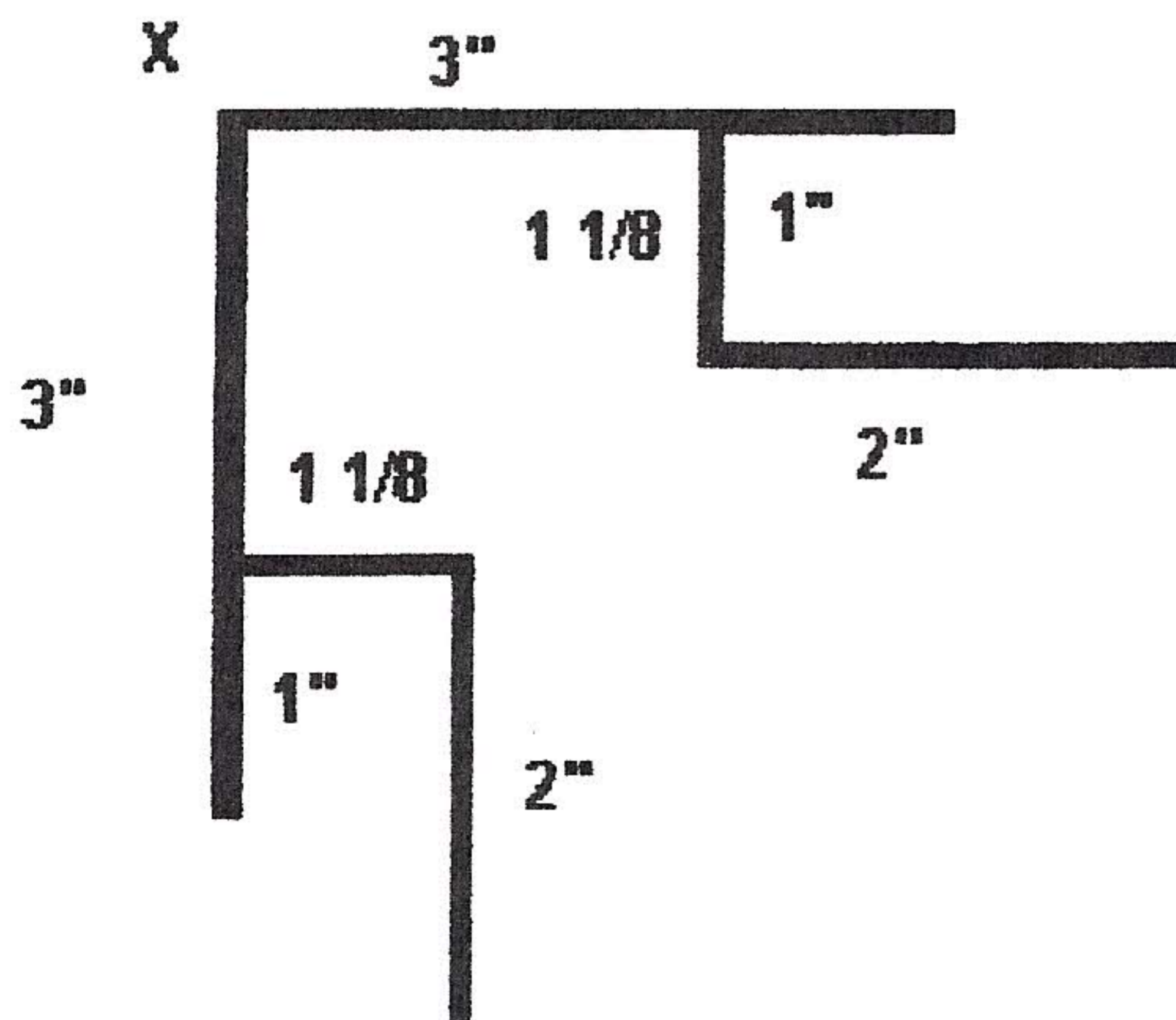
Base Metal Style C



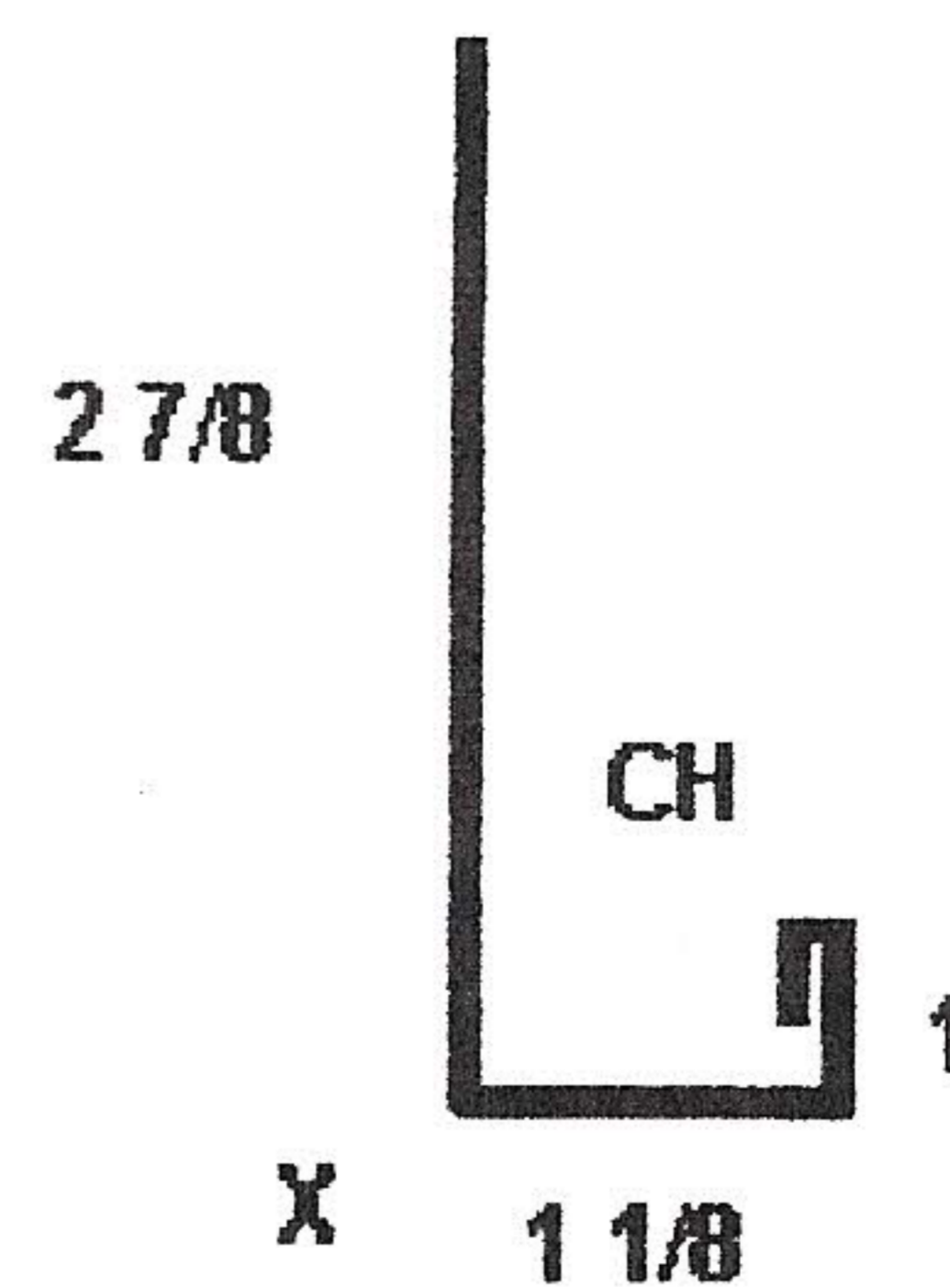
H-Flashing



Outside Corner



Outside Corner Post



C-Flashing

